

Grandview

Hidetech Series Recessed ALR Tab-Tension Screen Installation Manual

Model:HT-M

Grandview

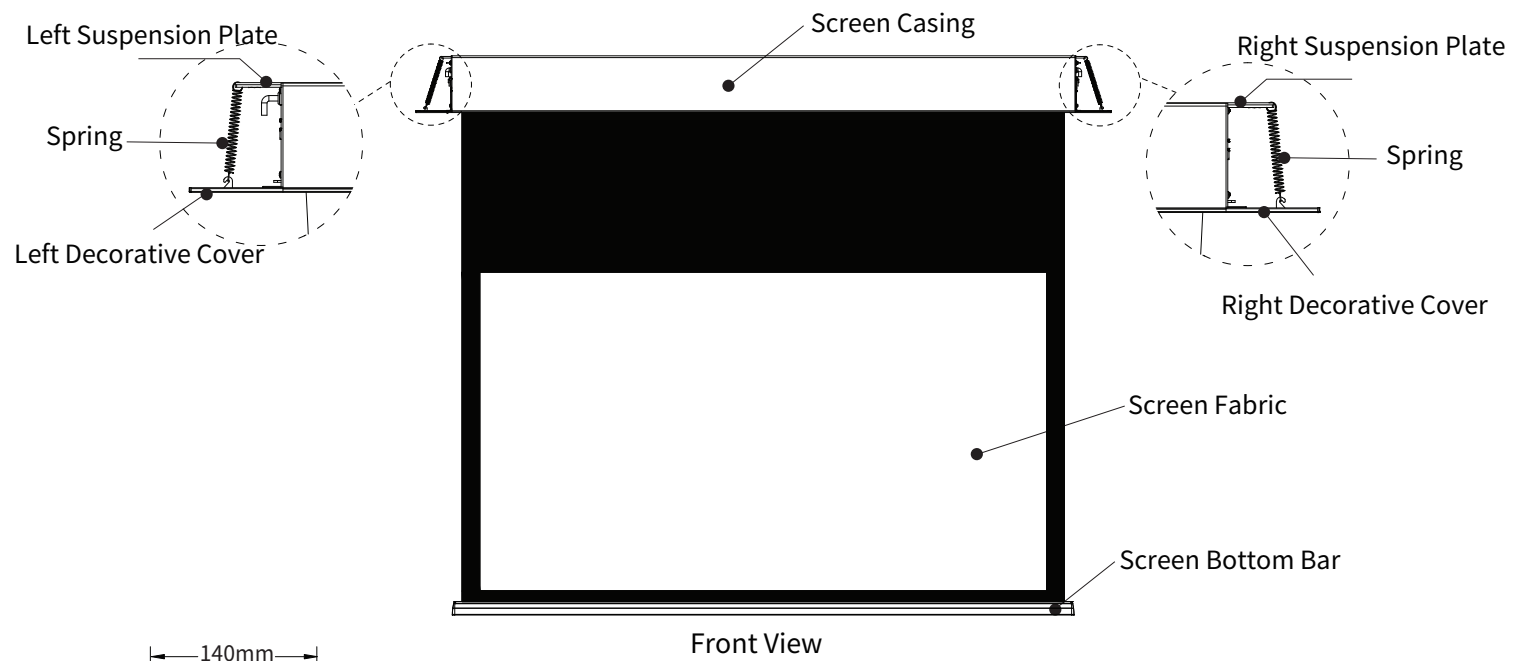


Caution

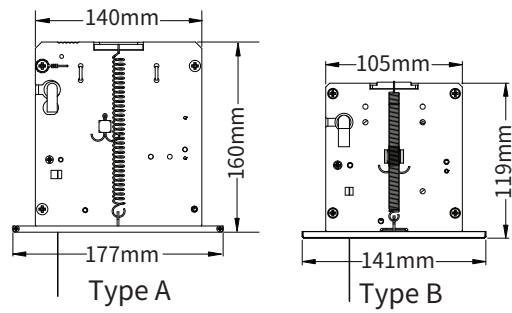
- When you select the ultra-short throw ambient light rejection screen, the standard configuration for the projector is table-top projection, which is determined prior to production. For customized requirements, it can be altered to ceiling mount projection.

Thank you for choosing Gandview products. Please read the manual carefully before installation and use.

Screen Structure Diagram

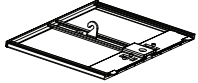
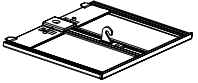





Front View



Ceiling Opening Dimensions: The length of the opening $L_t = \text{total length of the screen } L - 25\text{mm}$, the width of the opening 115mm, height >120mm

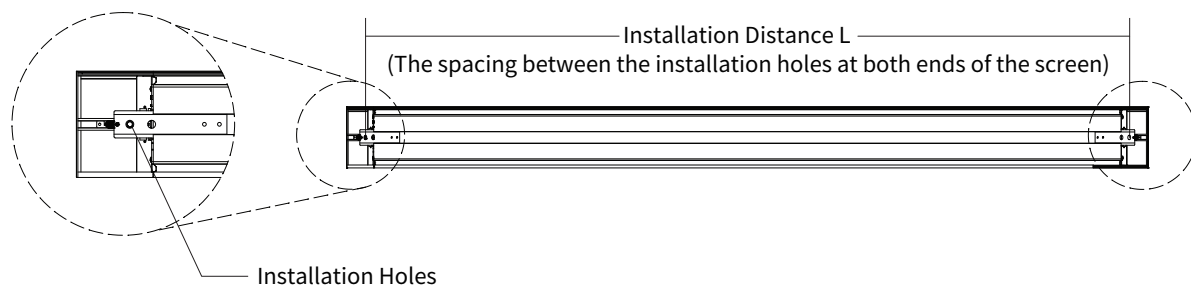
Accessories

- 
 Left Decorative Cover
(1 piece)
 - 
 Right Decorative Cover
(1 piece)
 - 
 Limit Adjustment Key
(1 piece)
 - 
 M8 x 500mm Threaded Rod
(2 pieces)
- 
 Allen Key (1 piece)

Installation Steps

Calculate the installation distance with reference to the ceiling cutout's position and height, drill vertical holes accordingly, drive in the expansion screws, and fasten the threaded rods into these screws securely. Once the rods are vertically secured to the mounting wall, trim the rod's length to maintain an approximate 80-90mm gap from the ceiling's decorative surface.

Refer to the diagram provided.



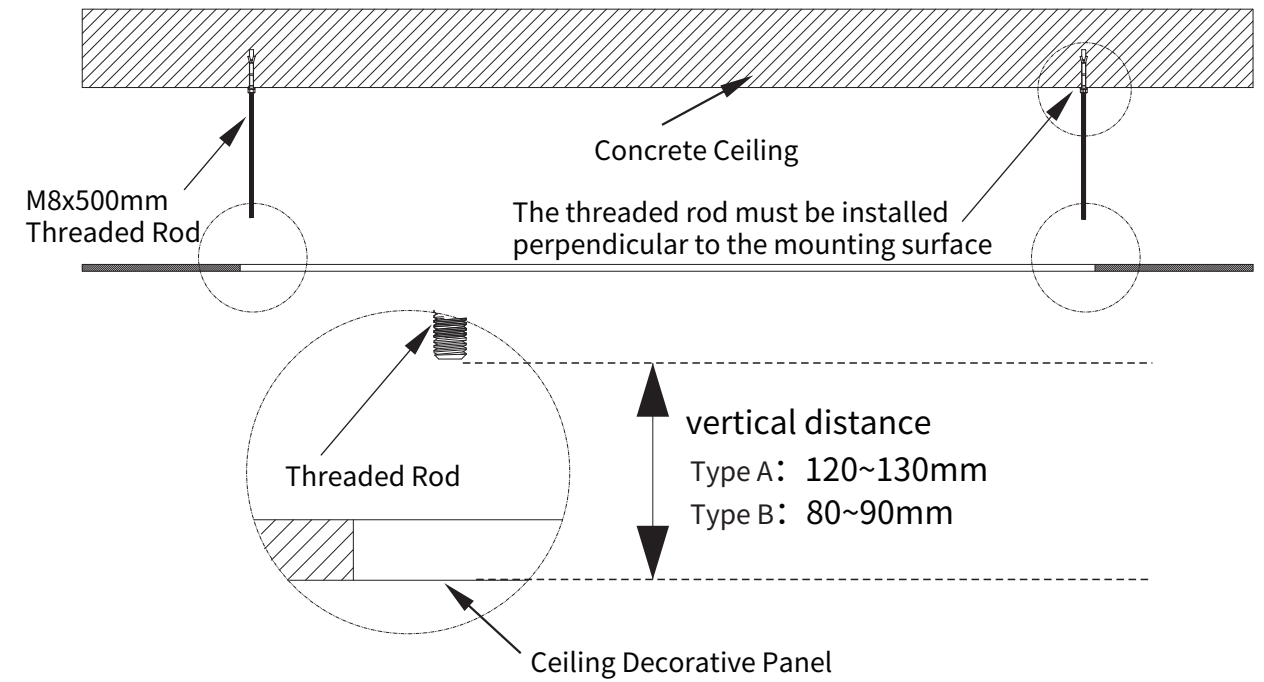
Screen Maintenance

To maintain optimal screen quality over the long term, retract the screen into its casing when not in use. Before retracting the screen, ensure that both the front and back are free of noticeable dust, insects, or other debris. If the surface has any of the above or appears dirty, gently wipe away the debris and clean the surface using a soft cloth or duster.

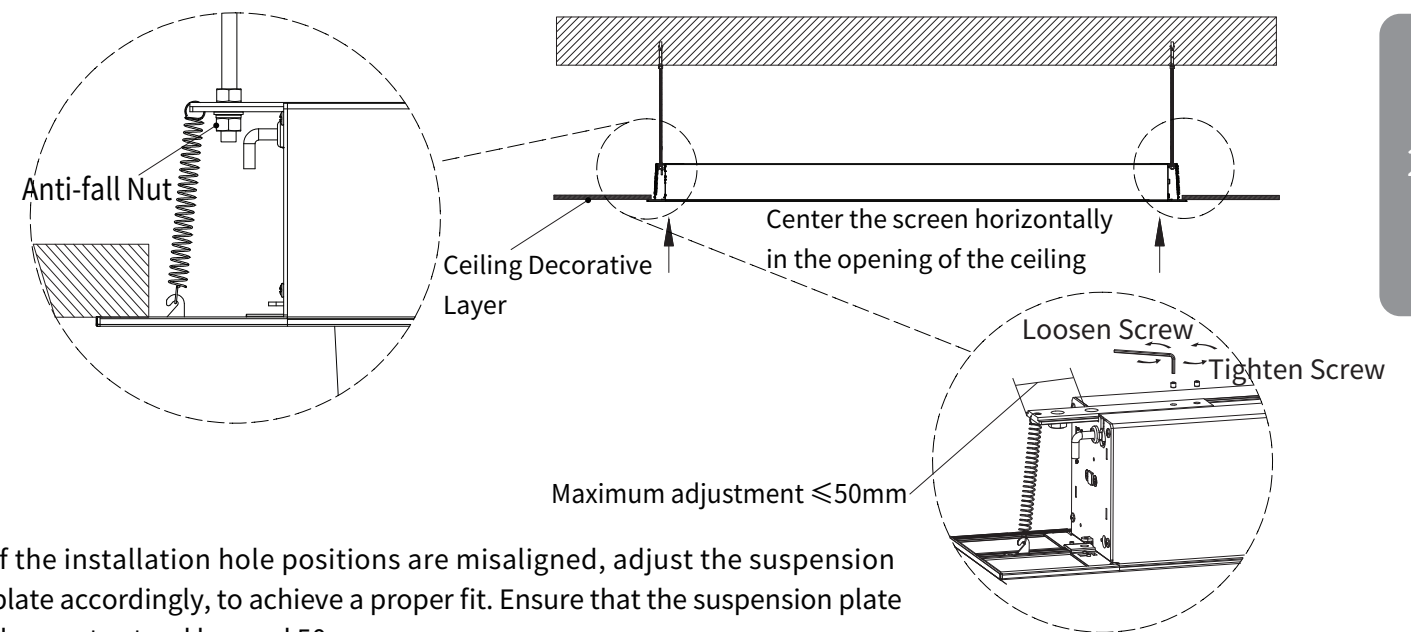
Screen Cleaning

Use warm water and a mild cleaning agent to gently remove dirt from the surface of the screen casing or screen fabric (gently wipe without applying pressure). After cleaning, use a soft cloth or towel to dry immediately. Do not let the surface air-dry.

Avoid using any solvents, chemicals, or abrasive cleaning materials, as these can cause permanent damage to the screen.



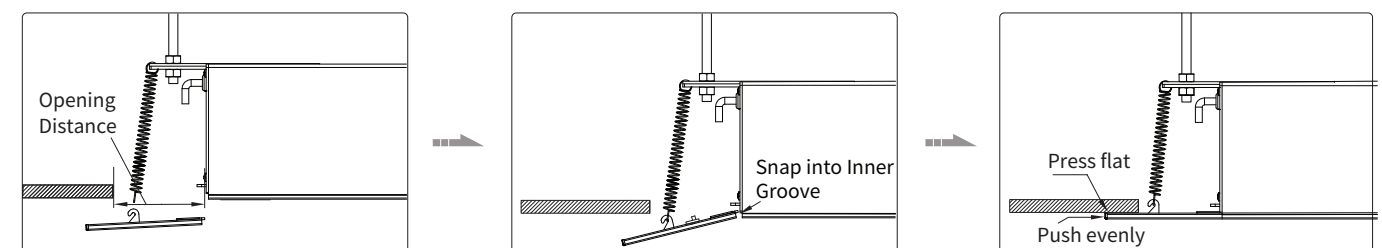
- Lift the screen with caution, guiding the threaded rod through the suspension holes on each side. Attach and secure the screen with nuts and washers, then use tools to evenly tighten the nuts on both sides until the screen is firmly positioned against the ceiling.



- If the installation hole positions are misaligned, adjust the suspension plate accordingly, to achieve a proper fit. Ensure that the suspension plate does not extend beyond 50mm.

Decorative Cover Installation

- Install the left decorative cover on the end with the power cord by following the illustrated steps below. The procedure for installing the right decorative cover mirrors this process.

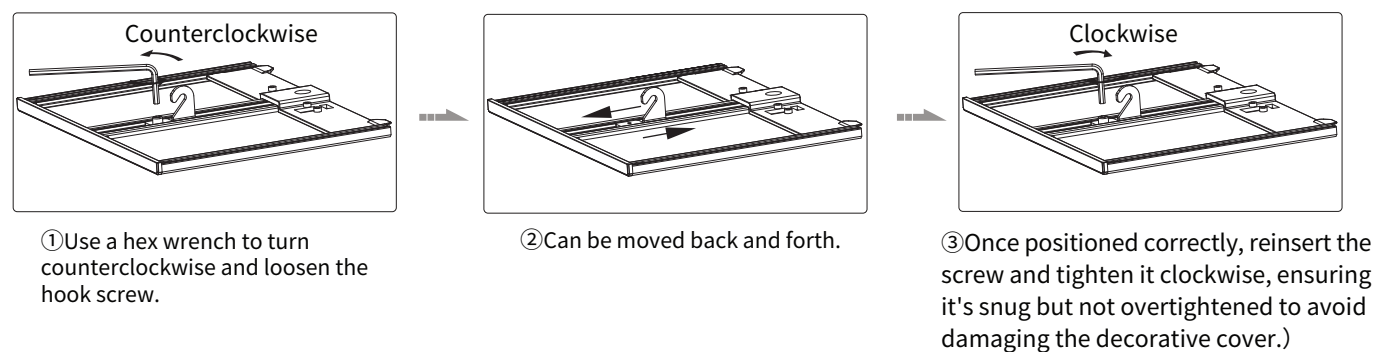


① Ensure there is enough distance at the opening before installation, then attach the spring with the round hole onto the hook of the decorative cover.

② Slide the two tabs of the left decorative cover into the corresponding grooves of the casing. Engage the tabs into the inner slot

③ Press the left decorative cover smoothly against the ceiling, ensuring its level with the casing on both sides, then push directly towards the wall until it's aligned with the casing.

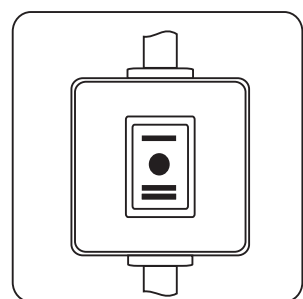
- The hook position on the decorative cover can be adjusted as follows.



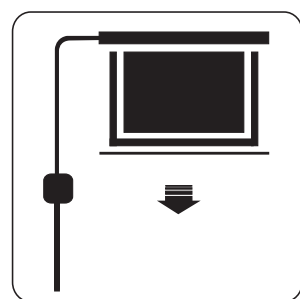
Screen Operation Instructions

This motorized projection screen can be operated as follows: manual control of the power switch (Figure 1)

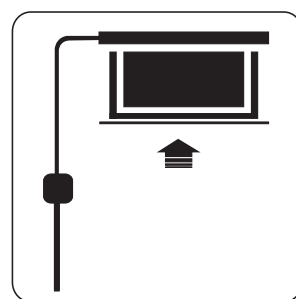
1. Connect the power supply (specified voltage range).
2. Lowering the screen (Figure 2): Press the “ \equiv ” position on the lower part of the control switch, and the screen will automatically descend smoothly. When the screen is fully extended, it will stop automatically.
3. Retracting the screen (Figure 3): To retract the screen, press the “ — ” position on the upper part of the control switch. The screen will automatically roll up into the metal casing and will stop automatically when fully retracted.
4. Stopping the screen: To stop the screen at any desired position during extension or retraction, set the control switch to the center “ \circ ” position, and the screen will stop at the desired spot.



(Figure 1)



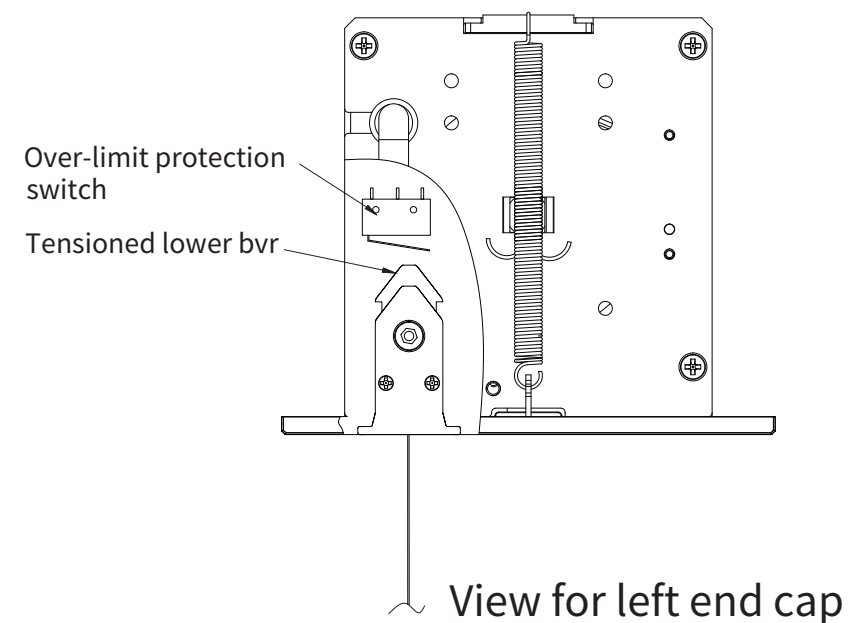
(Figure 2)



(Figure 3)

Setting the top/bottom limit:

If have to adjust height limit for installation environment reasons, you can adjust the limit setting by using a provided adjustment bar insert into the adjustment hole which on the left down area of motor. As below figure:



Green knob:

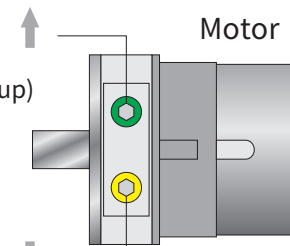
Retraction height (upper limit)

- ↻ Clockwise adjustment: decrease limit (down)
- ↻ Counterclockwise adjustment: increase limit (up)

Yellow knob:

Extension height (lower limit)

- ↻ Clockwise adjustment: decrease limit (up)
- ↻ Counterclockwise adjustment: increase limit (down)



Note:

Please operate carefully, in case of screen overretract causing motor or screen damage. While extending more fabric, please add blackboarder within 10CM or it will cause fabric break and fall.

Screen: Voltage AC220-230V/50-60Hz, 0.5Amp, power 100watts.